

[MORE INFORMATION & PRICING @ PIINY.COM](http://PIINY.COM)

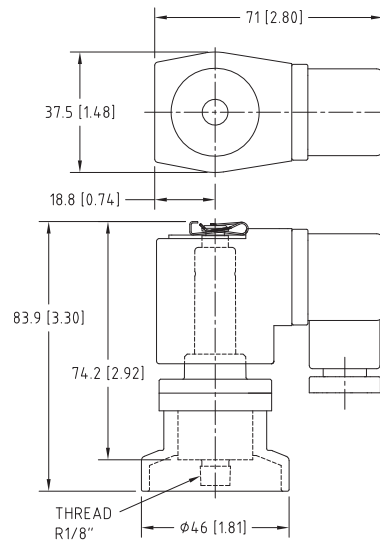
# GOYEN RCA3DM

PILOT VALVE



## DIMENSIONS

(Dimensions in mm and [inches])



## FOR INTEGRAL PILOT (CA) APPLICATIONS:

The **RCA3DM** is a pilot valve with an integral silencer and dust shroud which mounts directly (screw-in) to the 4 series valve cover.

RCA3DM and RCA3PV are suitable piloting options for all 4 Series valves and the RCA35T diaphragm valve.

## COIL CONSTRUCTION

Encapsulation: PA-66

C-Frame: Mild steel, zinc passivated

Bobbin: PA-66

Insulation class: B/130°C

IP Rating: IP65

Rating: Non-continuous use only

Clip: Mild steel (mechanically plated)

## OPERATION

Recommended on time range: 50 to 500 ms

Recommended time between pulses: 1 minute or greater

## COIL CERTIFICATION AND CONFORMITIES

- C-Tick
- EMC (89/336/CE)
- CE – EMC (2004/108/EC) and LV (2006/95/EC)
- CSA

## SPARE PARTS:

K0380 – Kit includes Nitrile replacement seal, armature, spring and ferrule.

K0384 – Kit includes Viton replacement seal, armature, spring and ferrule.

Please refer to next page for replacement coil options.

# GOYEN RCA3DM

PILOT VALVE

## HOW TO ORDER

<b>RCA 3 DM - 301</b>	
<b>Valve type</b>	<b>Coil series</b>
RCA – Pilot valve – Remote-controlled air	3 – Goyen 'Q' coil
<b>Pilot size</b>	<b>Body style</b>
3 – 1/8" Pipe thread	DM – Male inlet, R 1/8" thread, suits all Series 4 RCAC valves

## PRODUCT PERFORMANCE

FLOW	MAXIMUM WORKING PRESSURE	MINIMUM WORKING PRESSURE	TEMPERATURE MIN.		TEMPERATURE MAX.		FLUID MEDIA
			NITRILE	VITON	NITRILE	VITON	
0.32 Cv	860 kPa	0 kPa	-40°C	-29°C	82°C	+232°C	Air or
0.27 Kv	125 psi	0 psi	-40°F	-20°F	180°F	+450°F	inert gas

## ORDER CODE AND ELECTRICAL CHARACTERISTICS

ELECTRICAL CHARACTERISTICS						
DIN Socket Connector			PG9 Connection [Cable Entry]			
DIN Socket Specification			EN175301 – 803 (previously DIN 43650A) / A/ISO 4400			
DIN Socket Optional			94/9/CE ATEX ii 3GD T6			
Isolation Class DIN Socket			VDE 0110 – 1/89			
DIN Socket Protection			IP65 EN60529			
CODE	TYPE	CONNECTION TYPE	PROTECTION CLASS	VOLTAGE	POWER	COLOUR
300	QR	DIN43650A	IP65	200/240 V 50/60 Hz	17.4/22.6 VA	Grey
301	QR	DIN43650A	IP64	100/120 V 50/60 Hz	15.2/19.7 VA	Grey
302	QR	DIN43650A	IP64	24 V 50/60 Hz	23.1/17.2 VA	Grey
303	QR	DIN43650A	IP64	110 V DC	24 W	Grey
304	QR	DIN43650A	IP64	48 V DC	20 W	Grey
305	QR	DIN43650A	IP64	24 V DC	20 W	Grey
306	QR	DIN43650A	IP64	12 V DC	20 W	Grey
310	QD	Conduit [M20 x 1.5]	IP31	200/240 V 50/60 Hz	17.4/22.6 VA	Green
311	QD	Conduit [M20 x 1.5]	IP31	100/120 V 50/60 Hz	15.2/19.7 VA	Green
312	QD	Conduit [M20 x 1.5]	IP31	24 V 50/60 Hz	23.1/17.2 VA	Green
313	QD	Conduit [M20 x 1.5]	IP31	24 V DC	20 W	Green
314	QD	Conduit [M20 x 1.5]	IP31	12 V DC	20 W	Green
320	QD	Conduit [1/2" NPSC]	IP31	200/240 V 50/60 Hz	17.4/22.6 VA	Green
321	QD	Conduit [1/2" NPSC]	IP31	100/120 V 50/60 Hz	15.2/19.7 VA	Green
322	QD	Conduit [1/2" NPSC]	IP31	24 V 50/60 Hz	23.1/17.2 VA	Green
323	QD	Conduit [1/2" NPSC]	IP31	24 V DC	20 W	Green
324	QD	Conduit [1/2" NPSC]	IP31	12 V DC	20 W	Green