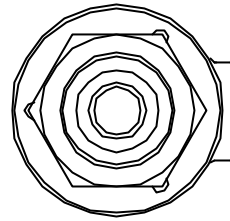
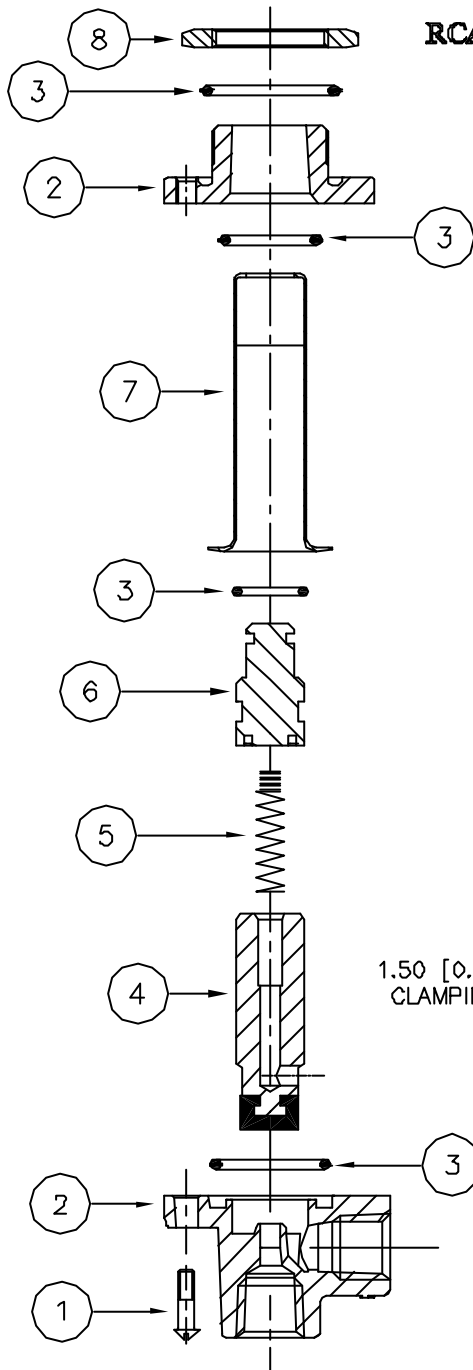
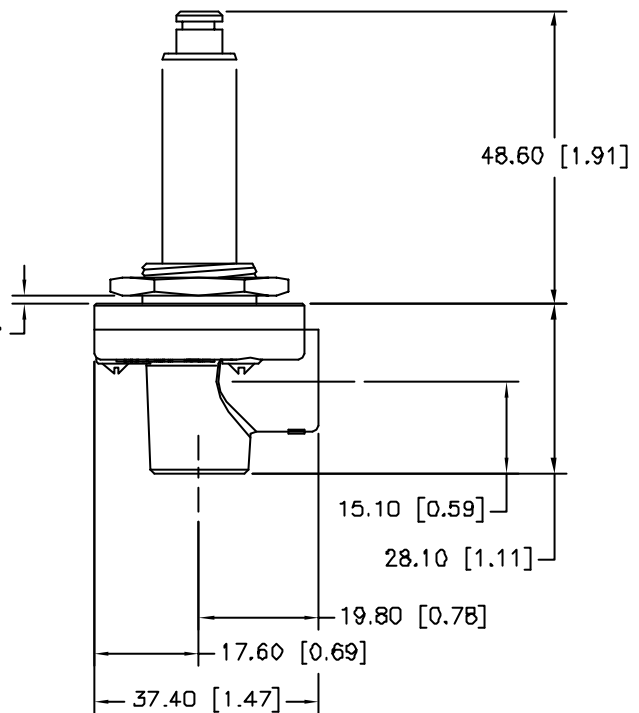


RCA 3D PILOT VALVE



1.50 [0.06] MIN.
CLAMPING GAP



MECHANICAL DETAILS

No	DESCRIPTION	STANDARD MATERIAL	PORT OPTIONS	HIGH TEMP MATERIALS	KIT No STANDARD
1	SCREW	304 STAINLESS STEEL	1/8 RP/NPT	AS STANDARD	K0380
2	BODY AND COVER	ALUMINIUM DIE CAST	-	AS STANDARD	-
3	O' RING	NITRILE / BUNA N	-	AS STANDARD	-
4	PLUNGER ASS'Y	430 FR ST/STL	-	AS STANDARD	-
5	SPRING	304 STAINLESS STEEL	-	AS STANDARD	-
6	IRON TOP ASS'Y	430 FR ST/STL.	-	AS STANDARD	-
7	FERRULE TUBE	305 ST/STL	-	AS STANDARD	-
8	NUT	MILD STEEL PASVATE	-	AS STANDARD	-

ELECTRICAL DETAILS

COIL VOLTAGE	200/240 VAC, 100/120 VAC, 24 VAC, 24 VDC, 12 VDC
COIL CONNECTION	QR - DIN CONNECTION QD CONDUIT ENTRY

WEIGHTS

UNIT WEIGHT	RCA = 0.080 Kg
-------------	----------------

DOC No	CAS_DG_3D2T
REVISION No	2
ISSUE DATE	18.7.2002